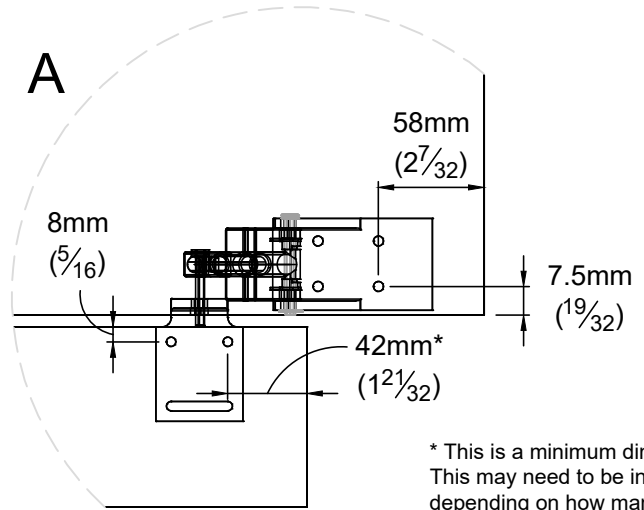
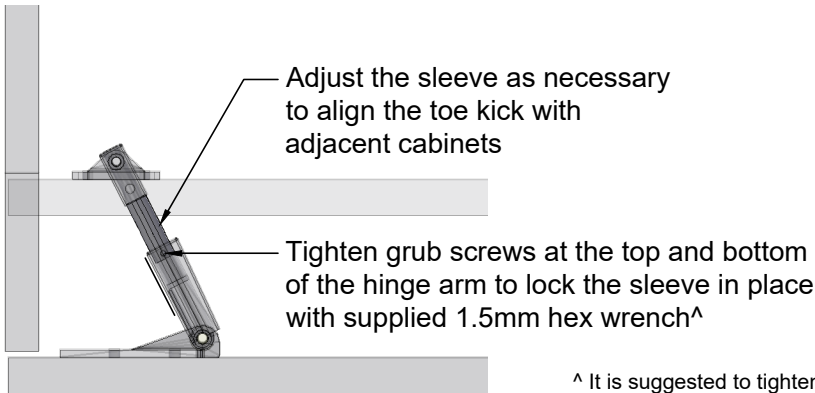


These are suggested starting hole dimensions. See the drilling diagram for a complete hole pattern.



* This is a minimum dimension. This may need to be increased depending on how many degrees the euro hinge opens, And desired opening of the toe kick.



^ It is suggested to tighten the grub screws snug to create a divot in the sleeve and then loosen them slightly so the plunger pin can move freely. Leaving the grub screws too tight with result in poor performance or possible damage to the ToeKickHinge.

Adjust the lock nut to align the toe kick and clear flooring as needed

